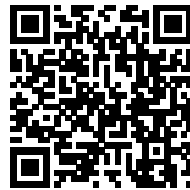
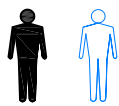
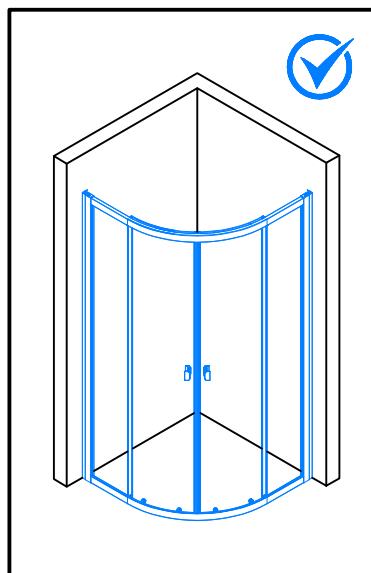


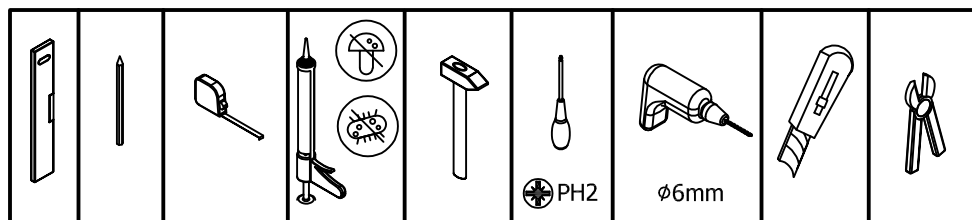
19804

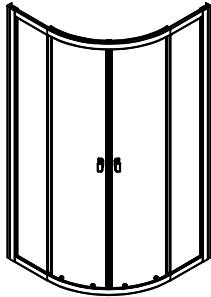

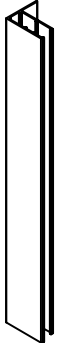

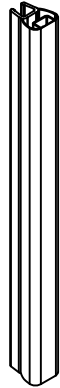

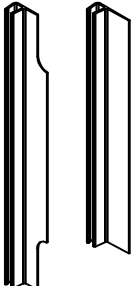
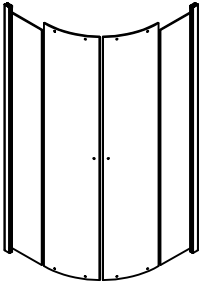







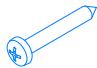


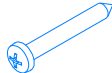

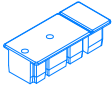
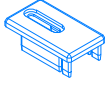
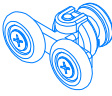














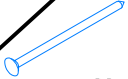








D20SR

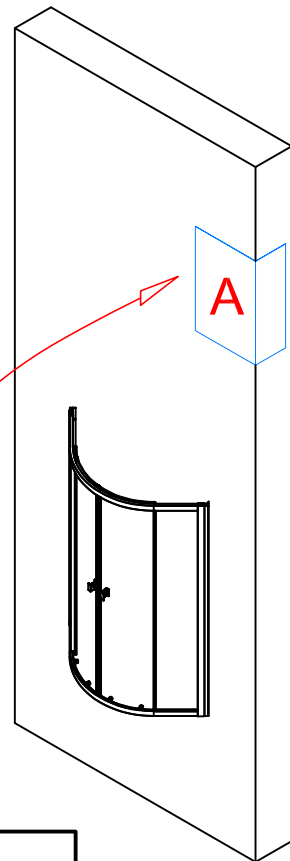
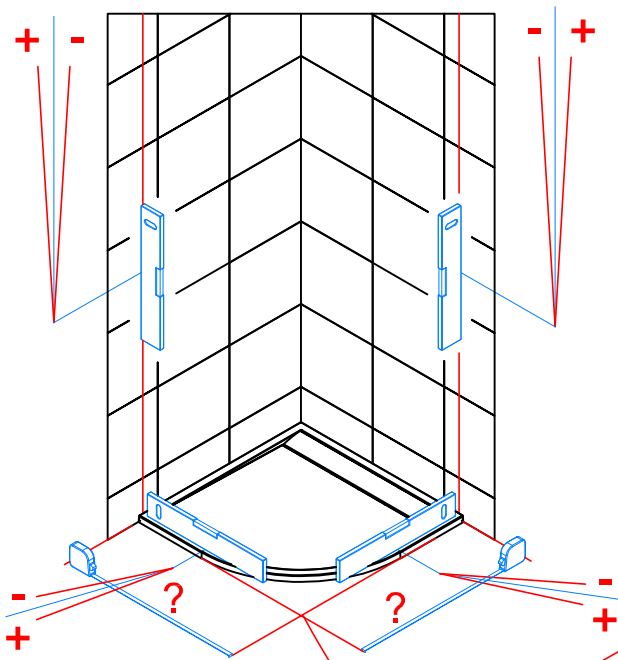


1x



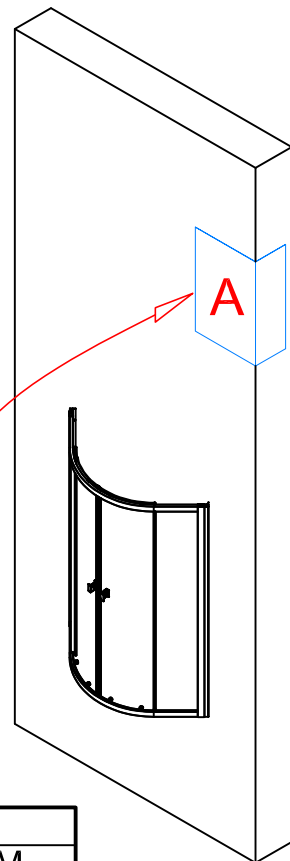
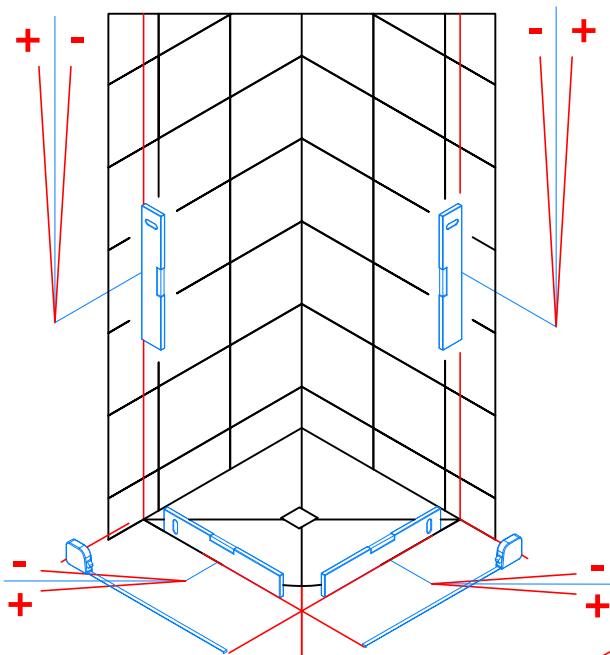
	<p>2X 80002FXX.XXXX</p>  	<p>2X 82014.XXXX</p>  	<p>2X 82025FXXXX 2X 82025.XXXX</p>  	
<p>2X 80213D20SR55EXX.XXX</p>  		<p>2X 82212.XXXX</p>  		

	<p>8 x 14016 3.5 X 25mm</p> 	<p>4 x 14003 3.5 x 9.5mm</p>  	<p>6 x 14295 4.2x32mm</p> 	<p>6 x 16000 ø 6mm</p> 
	<p>2 x 81125.XX</p> 	<p>2 x 81121.XX</p> 	<p>4 x MT8004.XX</p> 	<p>4 x MT8002.XX</p> 
	<p>8 x 81393.XX</p> 	<p>2 x MT0471.XX</p> 	<p>2 x 81065</p>  	<p>4 x 81164.XX</p>  
	<p>6 x 81253</p>  	<p>2 x 81238</p>  	<p>2 x 81064</p>  	<p>1 x 17156 5 mm</p>  <p>1 x 11221</p> 
	<p>6 x 81254.XX</p>  	<p>2 x 81185</p>  	<p>2 x 81064</p>  	<p>4 x 81163.XX</p>  

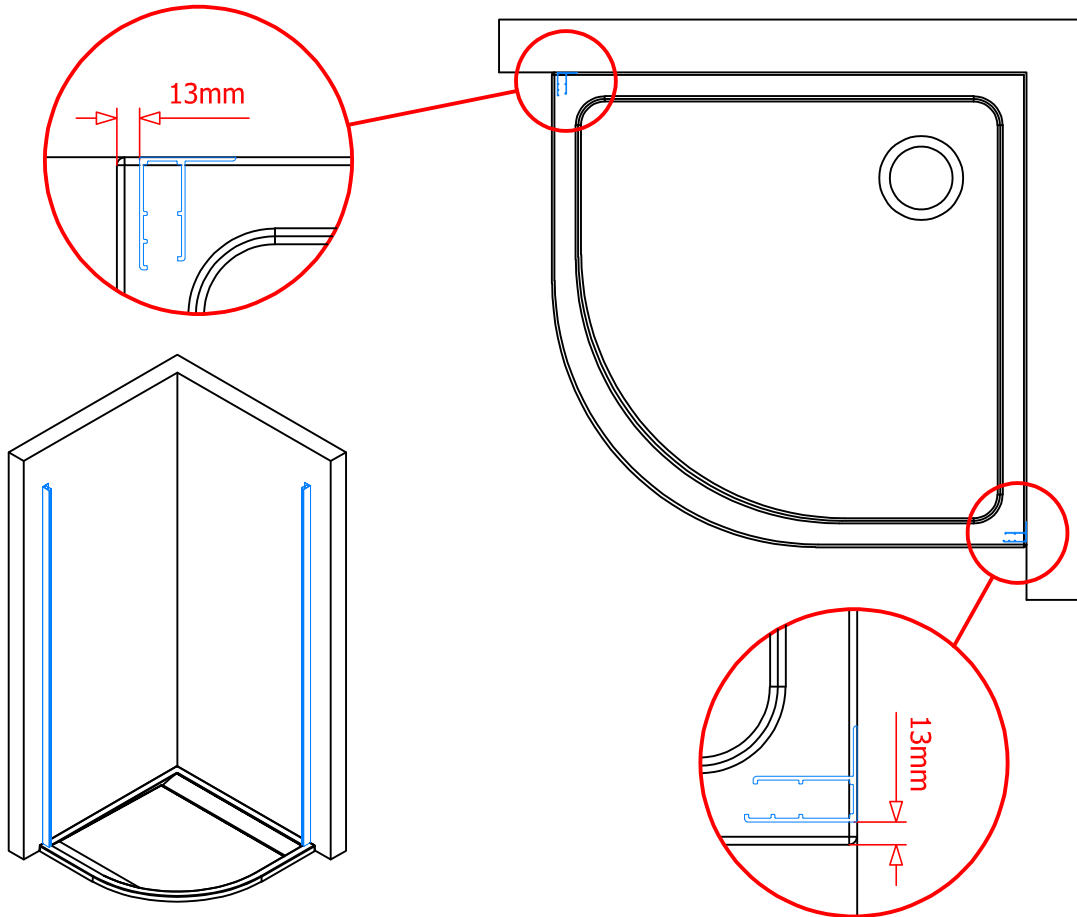


A	
STD	SM
-23 ; +7	-10 ; +20

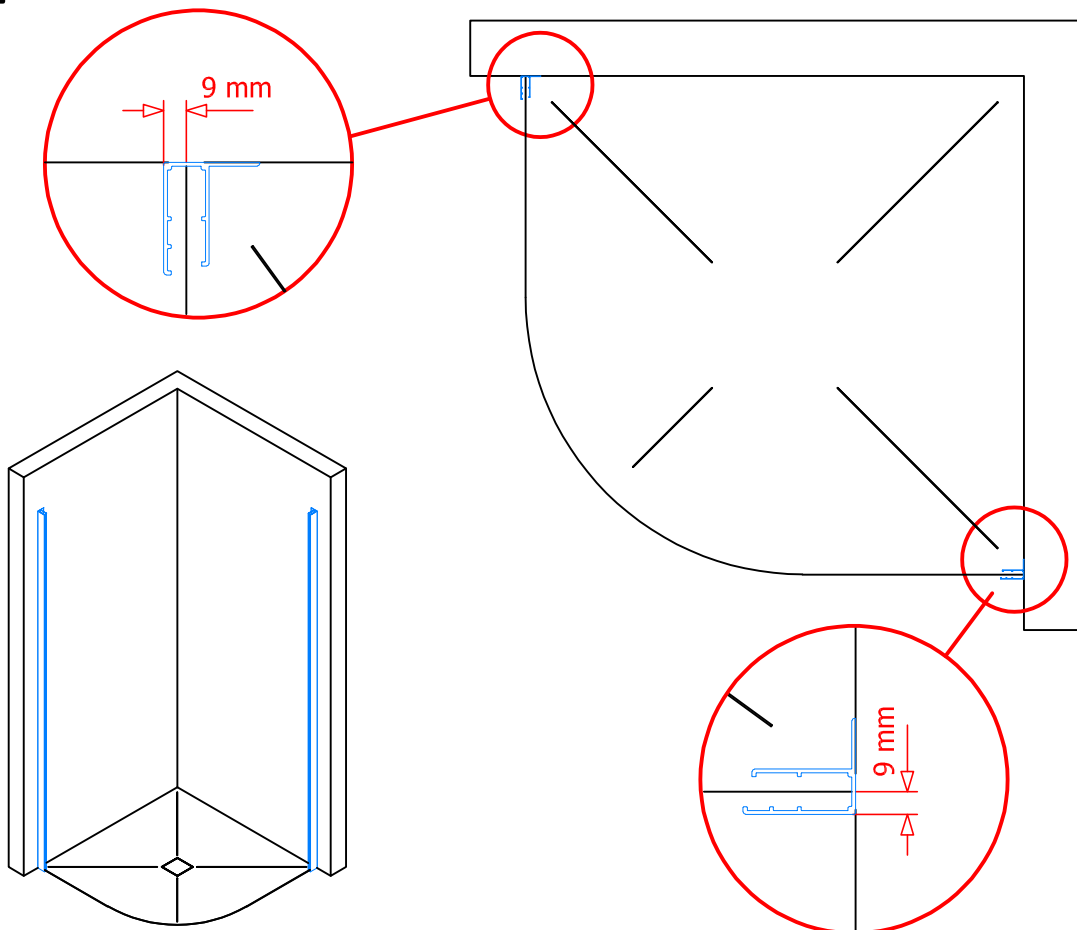
1.



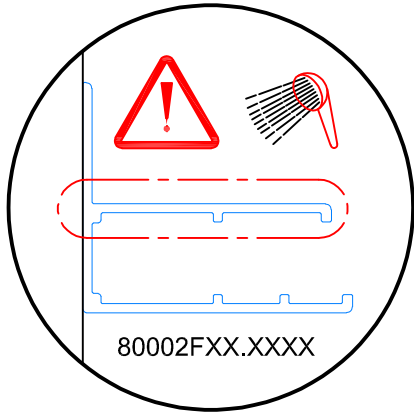
A	
STD	SM
-45 ; -15	-10 ; +20



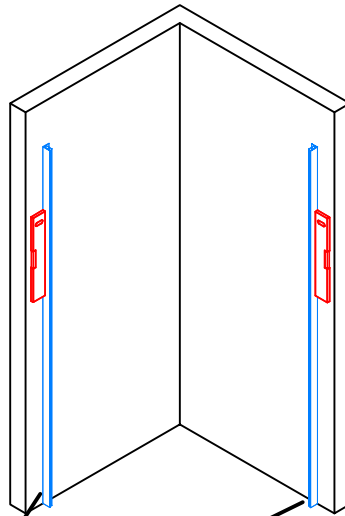
2. 



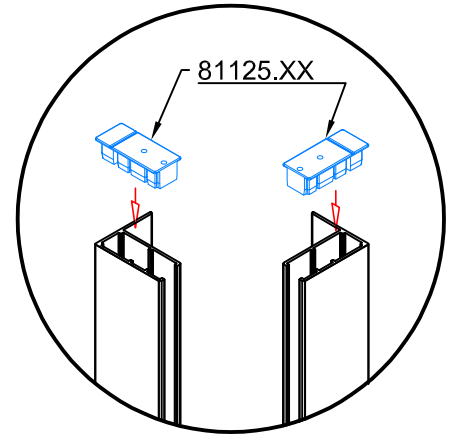
3.1 → 3.4



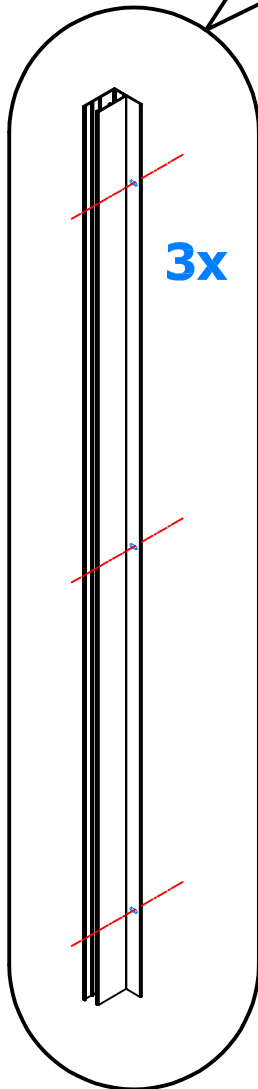
3.1



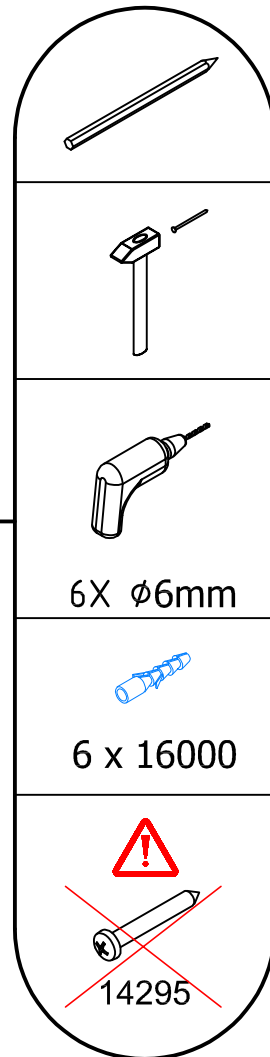
3.2



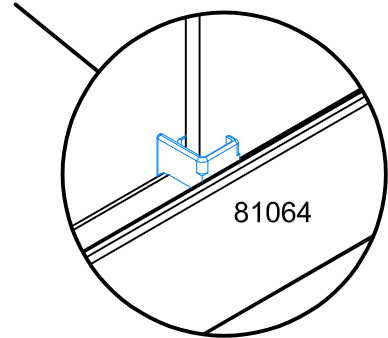
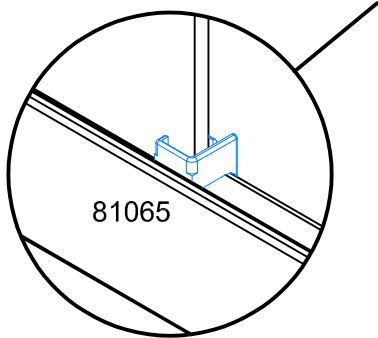
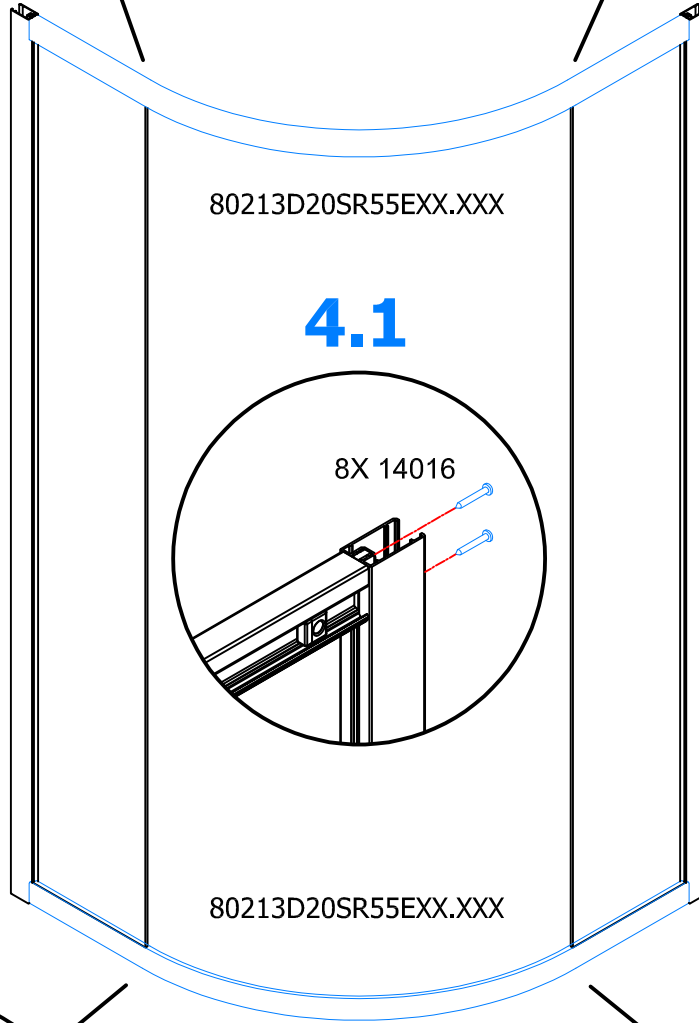
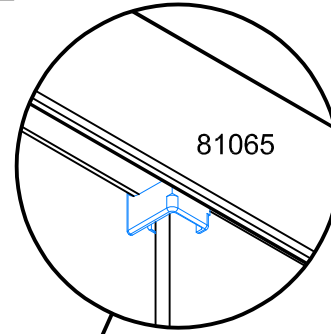
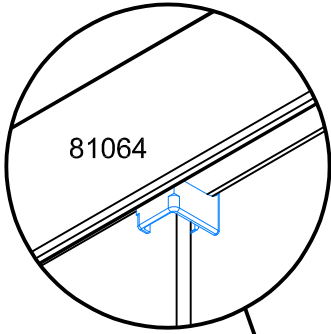
3.4



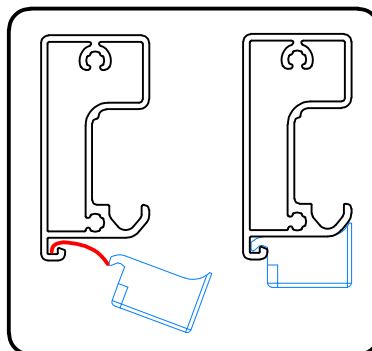
3.3



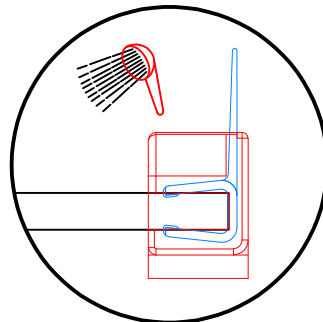
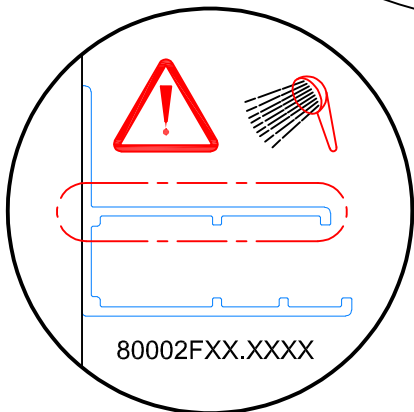
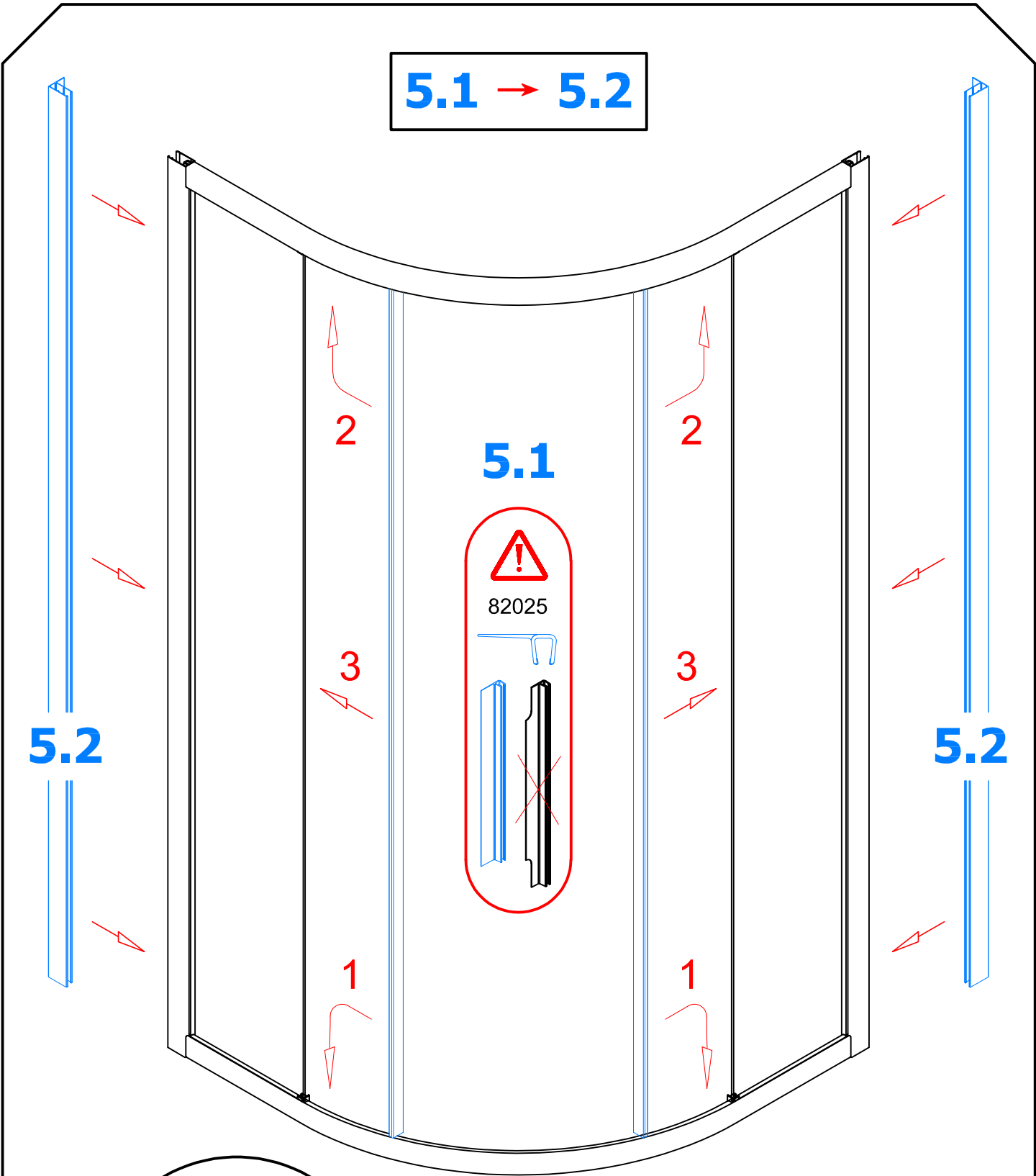
4.1 → 4.2



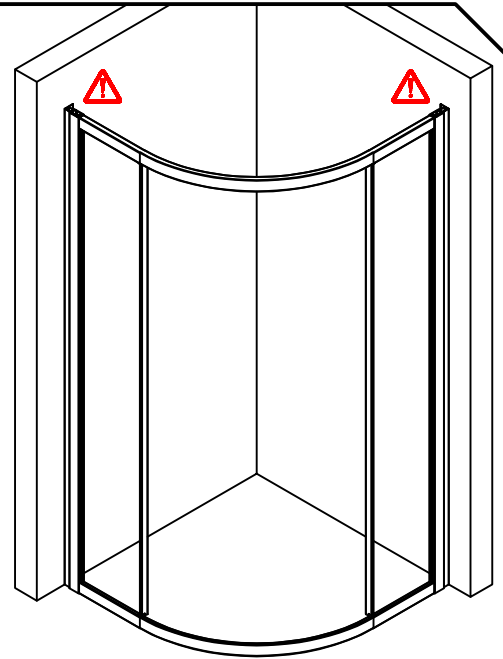
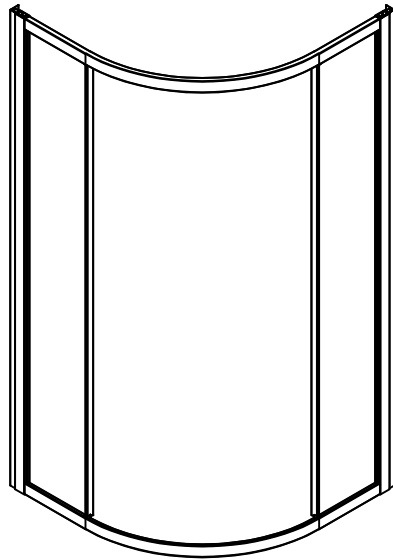
4.2



5.1 → 5.2

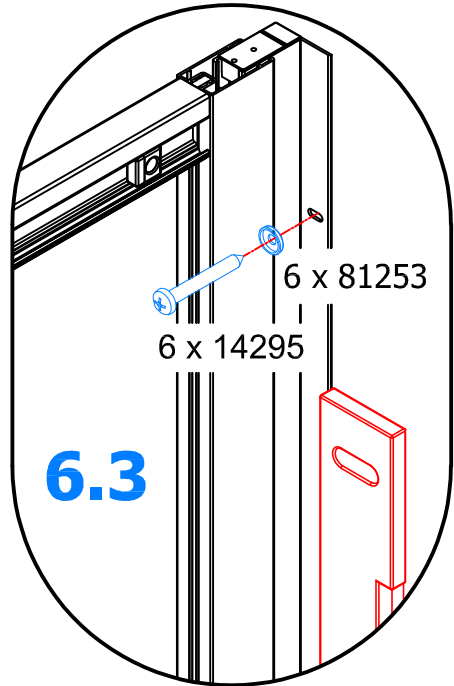
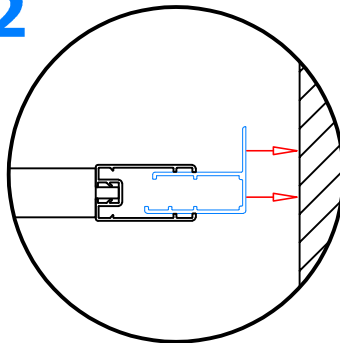
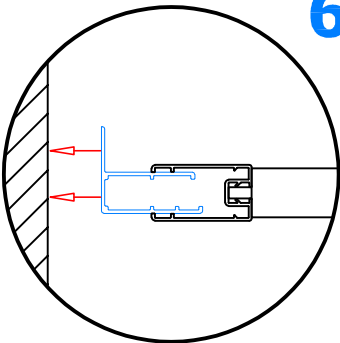


6.1 → 6.3



6.1

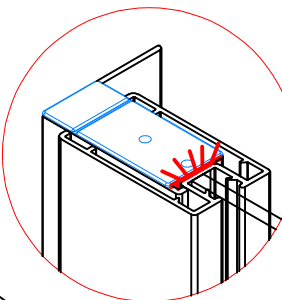
6.2



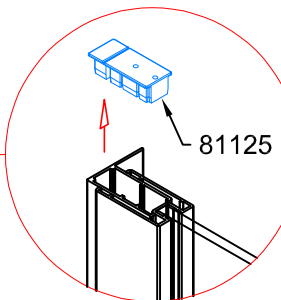
6.3



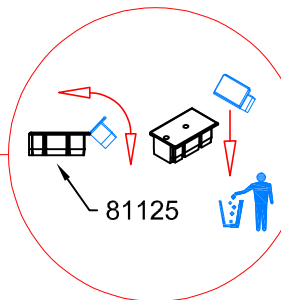
1



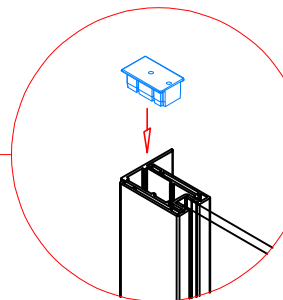
2



3



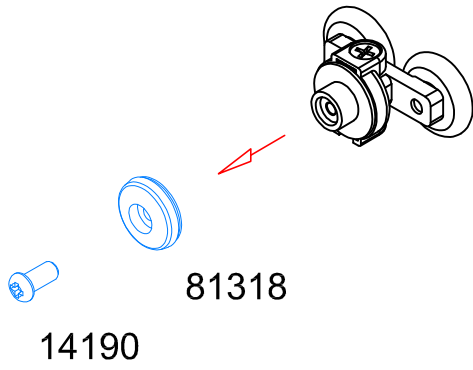
4



7.1 → 7.5

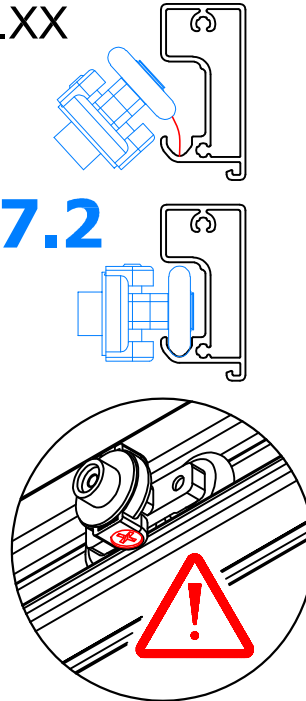
4X

MT8004.XX

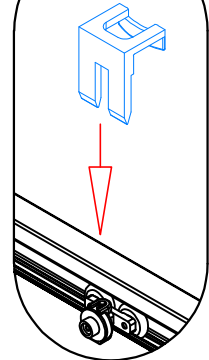


7.1

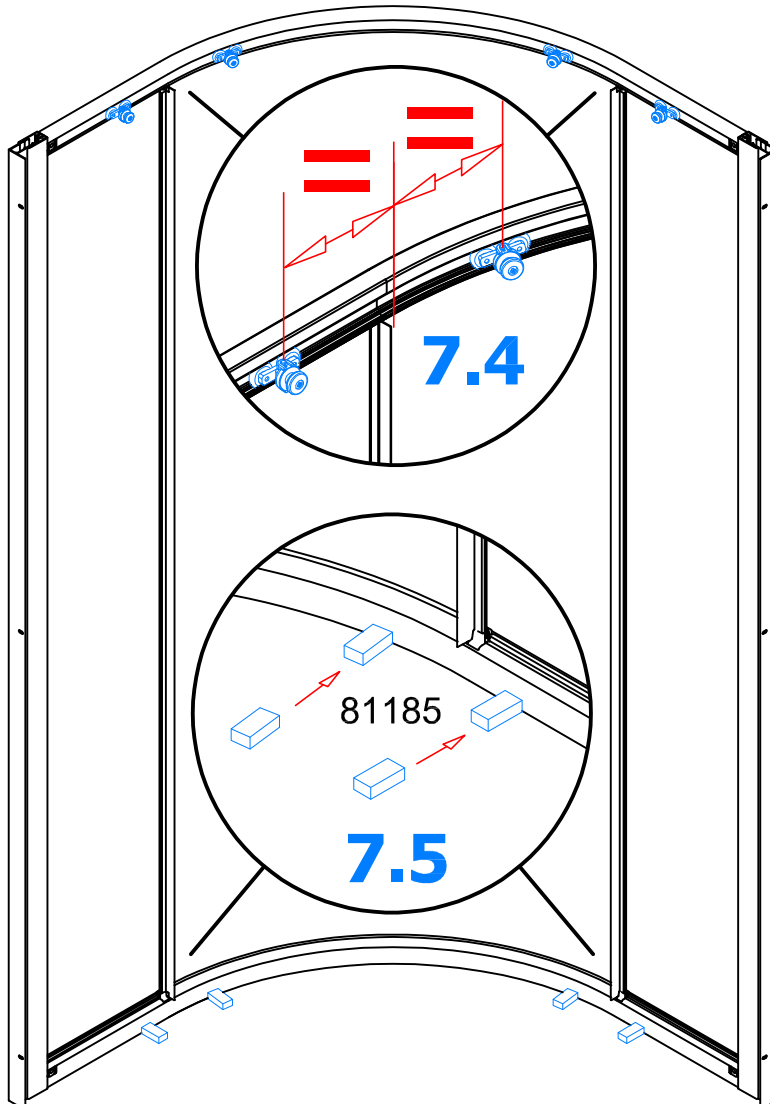
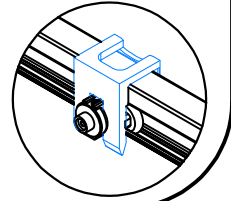
7.2



81238



7.3

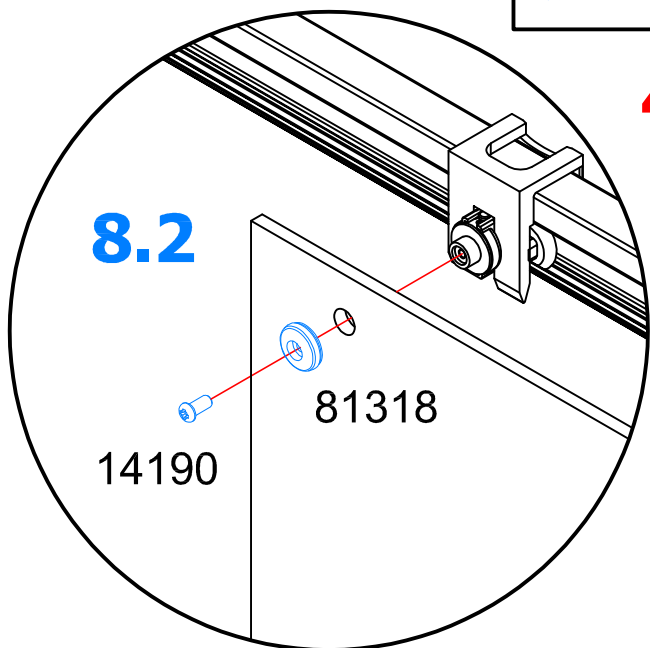


7.4

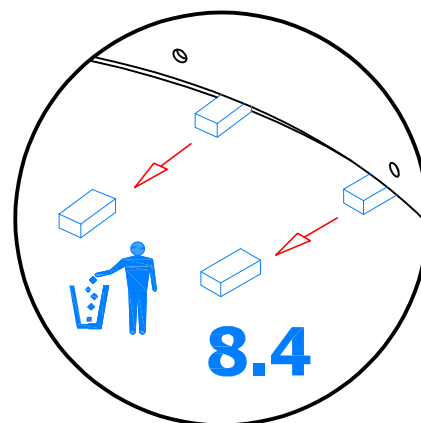
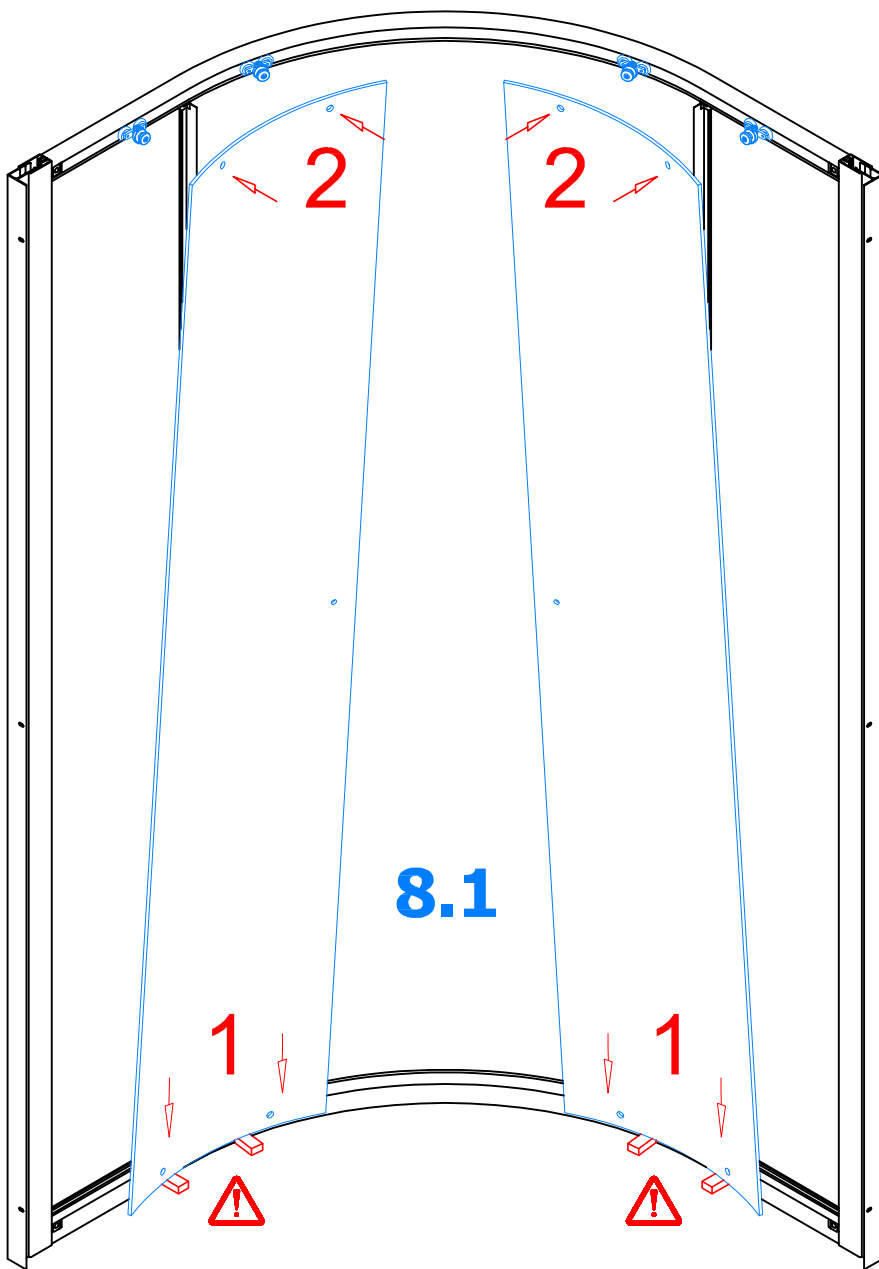
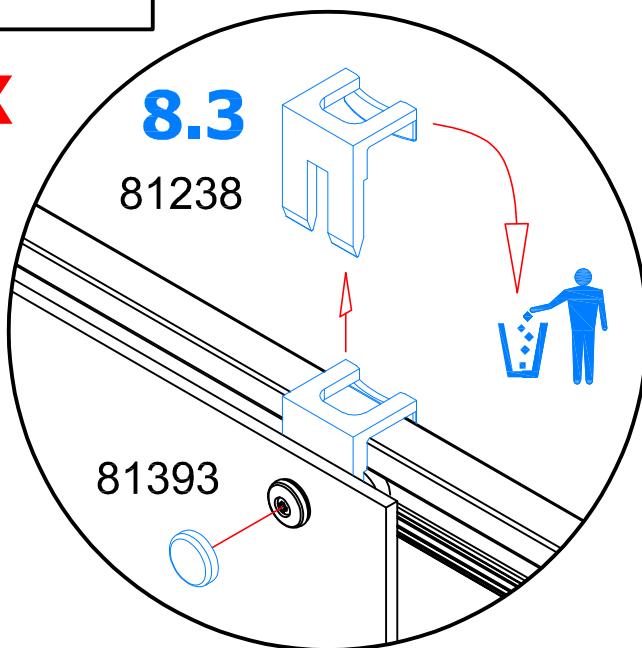
81185

7.5

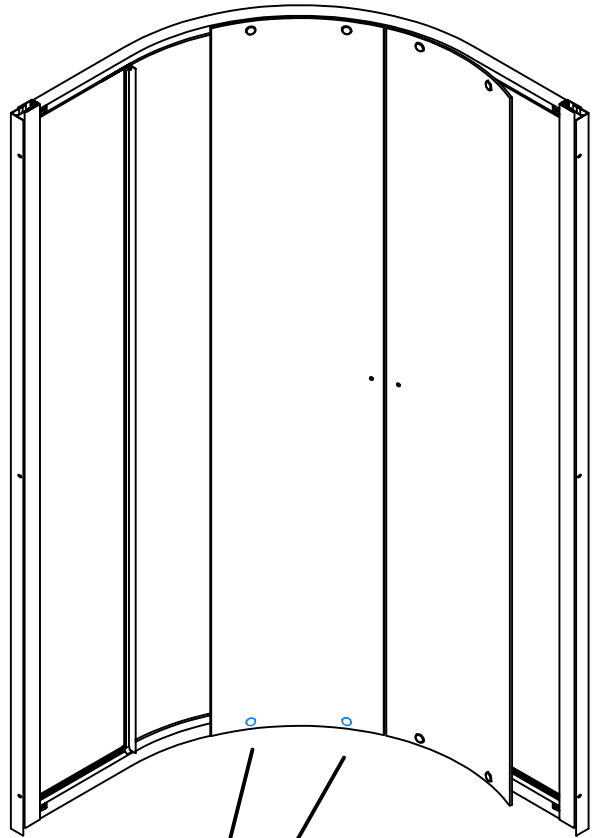
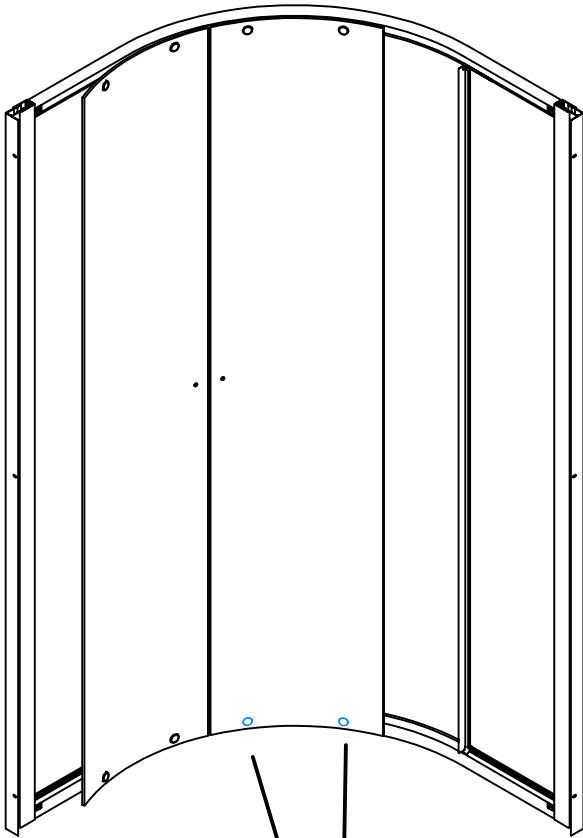
8.1 → 8.4



4X



9.1 → 9.3



4X

MT8002.XX

9.1

14190

81318

9.2

9.3

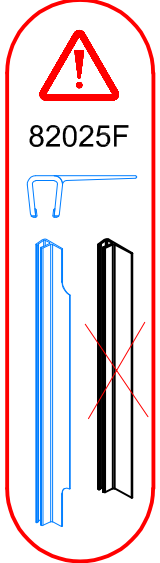
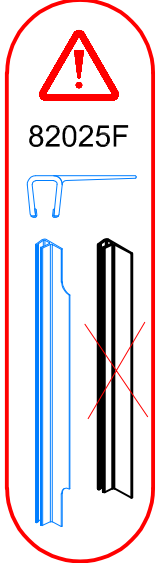
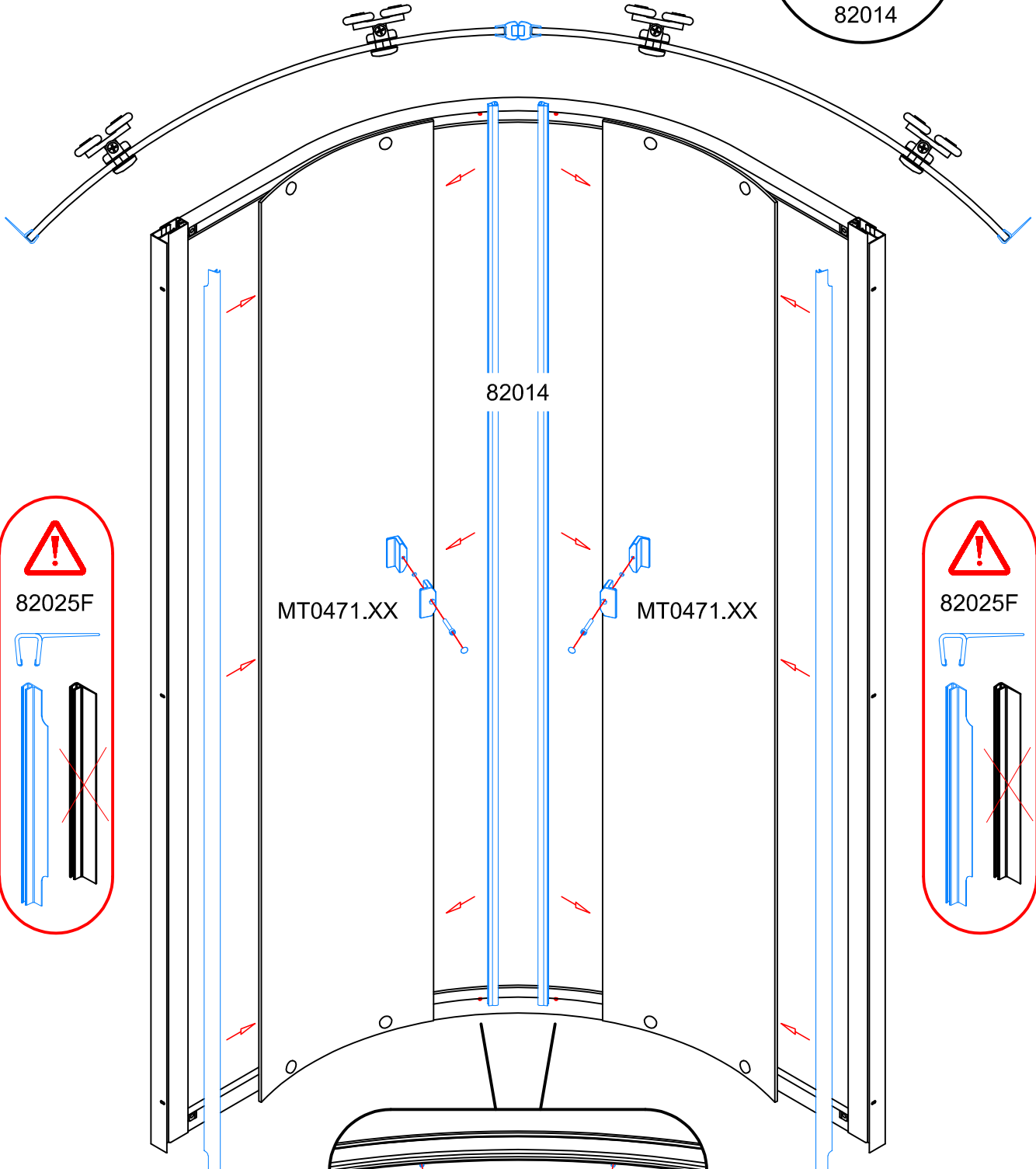
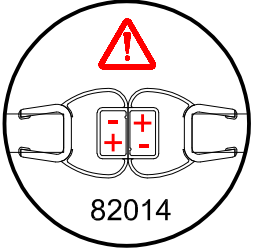
81318

14190

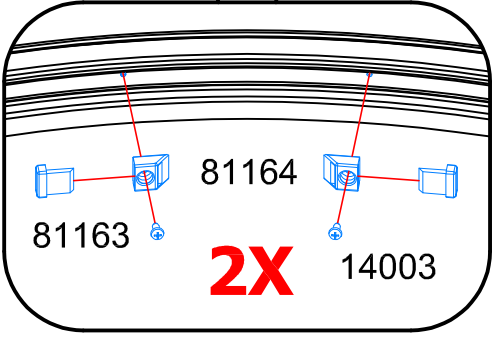
81393

10.1 → 10.2

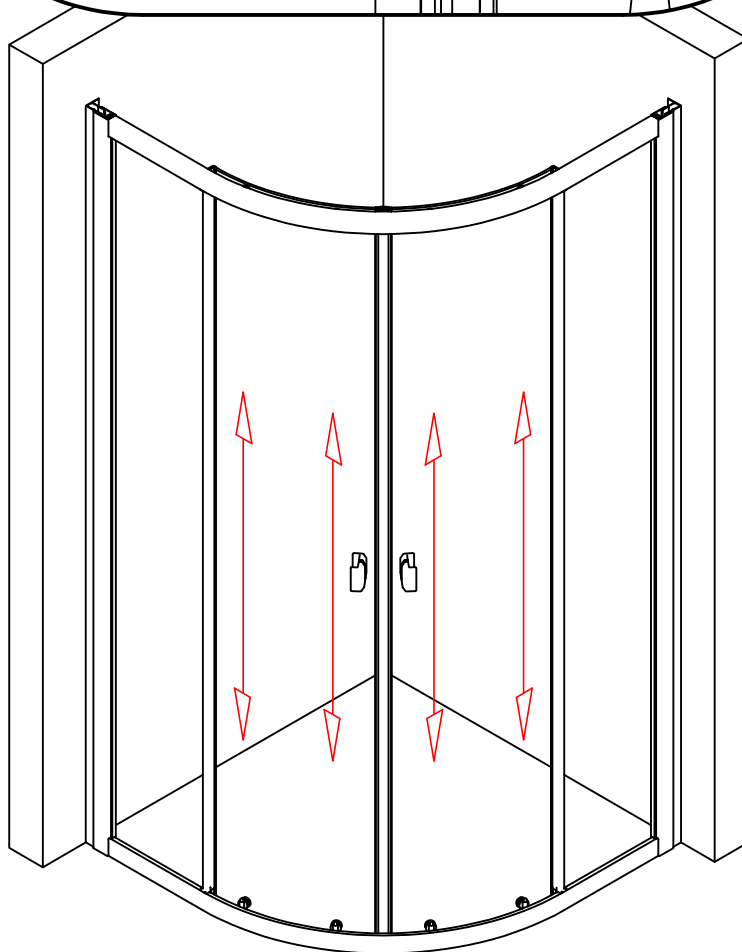
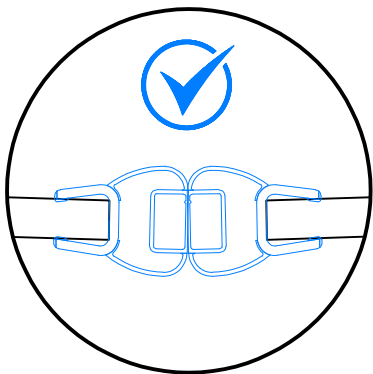
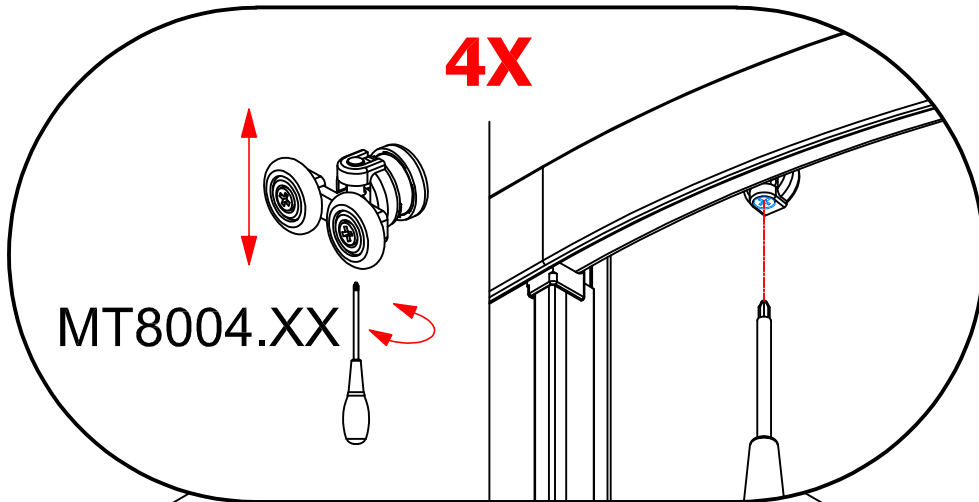
10.1



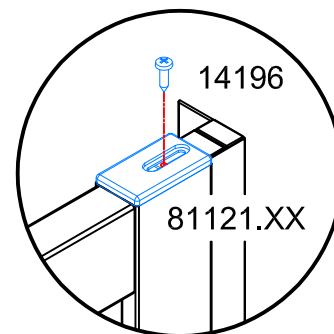
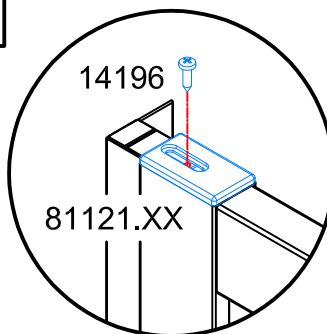
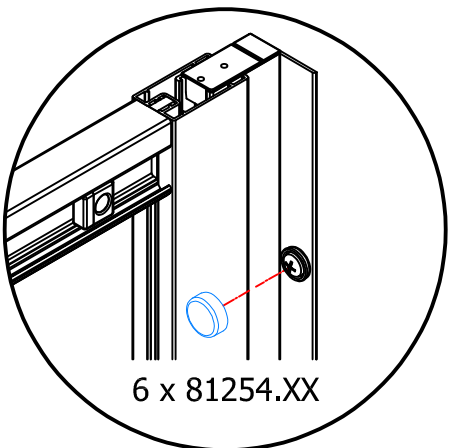
10.2



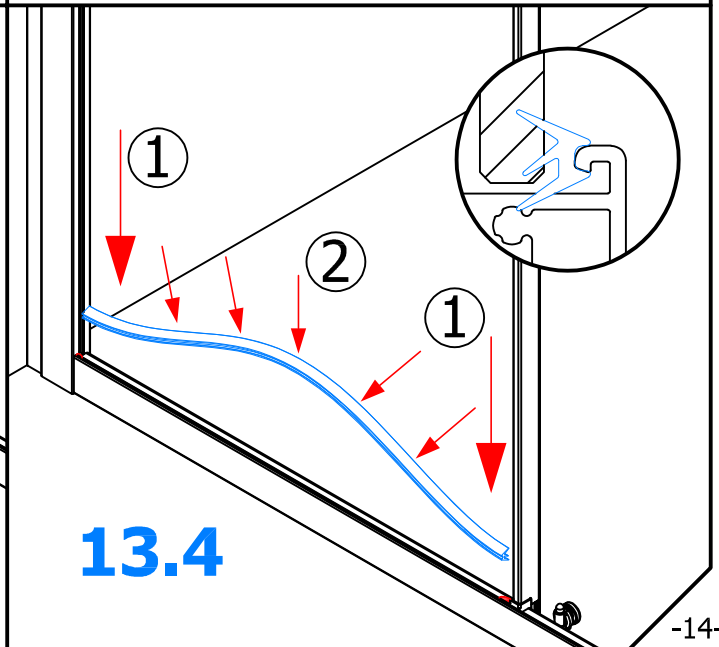
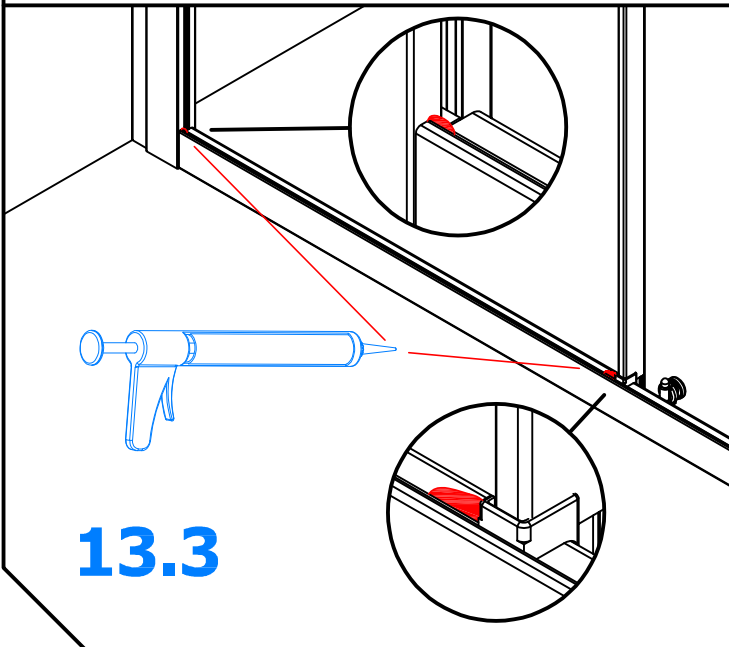
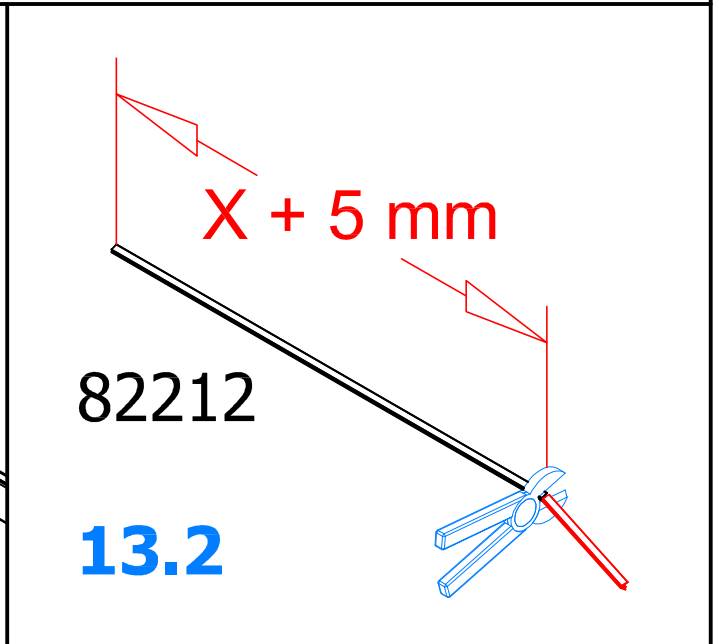
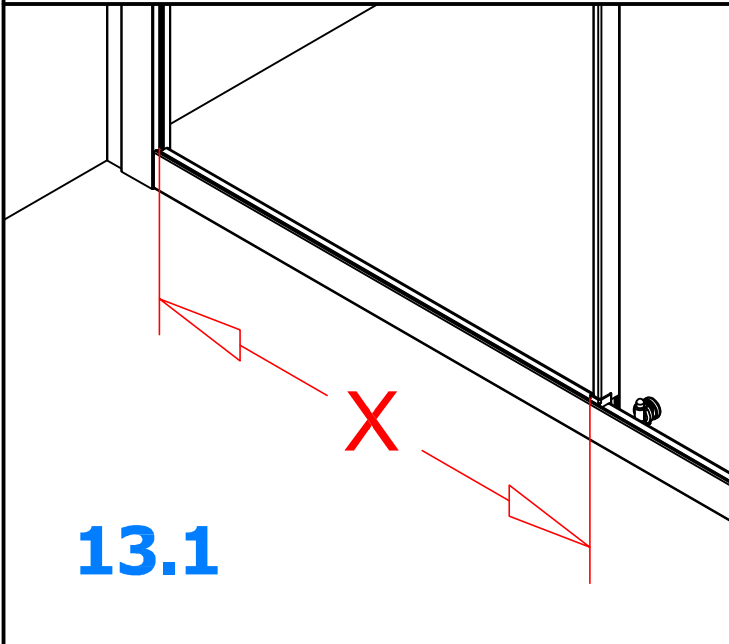
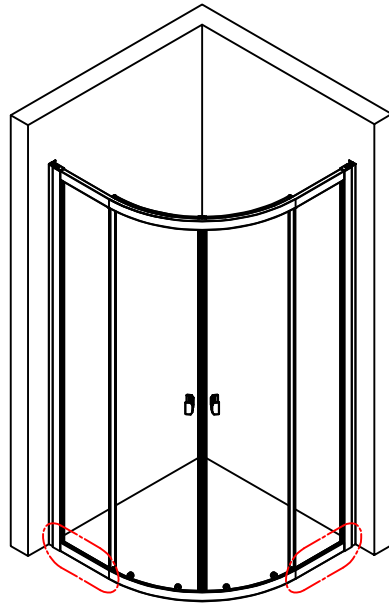
11.



12.



13.1 → 13.4



14.

